

**BALDOR® • RELIANCE** 

**Product Information Packet**

**FPM2543TS-2/4**

**50HP, 1770RPM, 3PH, 60HZ, 326TS, 4064M, ODP, F1**

Part Detail							
Revision:	C	Status:	PRD/A	Change #:		Proprietary:	No
Type:	AC	Elec. Spec:	40WGX329	CD Diagram:	CD0104	Mfg Plant:	
Mech. Spec:	40H07	Layout:	40LYH007	Poles:	04	Created Date:	01-11-2016
Base:	RG	Eff. Date:	08-22-2018	Leads:	12#8		

Specs			
Catalog Number:	FPM2543TS-2/4	Inverter Code:	Not Inverter
Enclosure:	ODP	KVA Code:	F
Frame:	326TS	Lifting Lugs:	Standard Lifting Lugs
Frame Material:	Steel	Locked Bearing Indicator:	No Locked Bearing
Output @ Frequency:	50.000 HP @ 60 HZ	Motor Lead Quantity/Wire Size:	12 @ 8 AWG
Synchronous Speed @ Frequency:	1800 RPM @ 60 HZ	Motor Lead Exit:	Ko Box
Voltage @ Frequency:	200.0 V @ 60 HZ	Motor Lead Termination:	Flying Leads
	400.0 V @ 60 HZ	Motor Type:	4064M
Agency Approvals:	UL	Mounting Arrangement:	F1
	CSA EEV	Power Factor:	83
Auxillary Box:	No Auxillary Box	Product Family:	Fire Pump Motor
Auxillary Box Lead Termination:	None	Pulley End Bearing Type:	Ball
Base Indicator:	Rigid	Pulley Face Code:	Standard
Bearing Grease Type:	Polyrex EM (-20F +300F)	Pulley Shaft Indicator:	Standard
Blower:	None	Rodent Screen:	None
Current @ Voltage:	140.000 A @ 200.0 V	Shaft Extension Location:	Pulley End
	70.000 A @ 400.0 V	Shaft Ground Indicator:	No Shaft Grounding
Design Code:	B	Shaft Rotation:	Reversible

<b>Drip Cover:</b>	No Drip Cover	<b>Shaft Slinger Indicator:</b>	No Slinger
<b>Duty Rating:</b>	CONT	<b>Speed Code:</b>	Single Speed
<b>Electrically Isolated Bearing:</b>	Not Electrically Isolated	<b>Motor Standards:</b>	NEMA
<b>Feedback Device:</b>	NO FEEDBACK	<b>Starting Method:</b>	Wye Start - Delta Run
<b>Front Face Code:</b>	Standard	<b>Thermal Device - Bearing:</b>	None
<b>Front Shaft Indicator:</b>	None	<b>Thermal Device - Winding:</b>	None
<b>Heater Indicator:</b>	No Heater	<b>Vibration Sensor Indicator:</b>	No Vibration Sensor
<b>Insulation Class:</b>	F	<b>Winding Thermal 1:</b>	None
		<b>Winding Thermal 2:</b>	None

Nameplate NP3454L											
CAT.NO.	FPM2543TS-2/4			CUST P/N				I.P.	23		
SPEC.	40H007X329H2			SER.NO.				FRAME	326TS		
HZ	60	HP	50	RPM	1770	HZ		HP		RPM	
VOLTS	200/400			CODE	F	VOLTS				CODE	
AMPS	140/70			DES	B	AMPS				DES	
EFF	93	SER.F.	1.15	PF	83	EFF				SER.F.	
RATING	40C AMB-CONT			DE BRG	6312			GREASE	POLYREX EM		
BLANK				ODE BRG	6309			MTR. WT.	356		
				CLASS	F			PH	3		
				ENCL	ODP			CC	010A		
HTR-VOLTS		HTR-AMPS		HTR-WATTS							

Parts List		
Part Number	Description	Quantity
SA313313	SA 40H007X329H2	1.000 EA
RA300770	RA 40H007X329H2	1.000 EA
HA6361A01	LIFTING LUG FOR 37, 39 & 40 FRAME ZINC	2.000 EA
HA6017	CAST ADAPTER, 40,42 KOBX	1.000 EA
19XW3118A12	.31-18 X .75 HEX WASHER HEAD TAPTITE II	2.000 EA
HW1001A31	LOCKWASHER 5/16, ZINC PLT.591 OD, .319 I	2.000 EA
WD1000B25	GND LUG, BURNDY L125HP OR T&B L125HP-BB	1.000 EA
19XW3118G08	.31-18X.50,HEX WSHR HD,TAPTITE 2,GREEN	1.000 EA
10CB3001	CONDUIT BOX CAST W/2.500 LEAD HOLE	1.000 EA
19XW3118A12	.31-18 X .75 HEX WASHER HEAD TAPTITE II	4.000 EA
HW1001A31	LOCKWASHER 5/16, ZINC PLT.591 OD, .319 I	4.000 EA
40EP3200A02	STD FREP OPEN 309 BRG	1.000 EA
HA4051A00	PLASTIC CAP FOR GREASE FITTING	1.000 EA
HW5100A11	W3917-042 WVY WSHR (WB)	1.000 EA
40EP3201A01	PU ENDPLATE, MACH - OPEN - FOR 312 BRG	1.000 EA
HA4051A00	PLASTIC CAP FOR GREASE FITTING	1.000 EA
XY3816A12	3/8-16 FINISHED NUT	8.000 EA
10CB3500SP	CONDUIT BOX LID, CAST	1.000 EA
51XW2520A12	.25-20 X .75, TAPTITE II, HEX WSHR SLTD	4.000 EA
HW2501H18	KEY, 1/2 SQ X 2.000	1.000 EA
LB1115N	LABEL,LIFTING DEVICE (ON ROLLS)	1.000 EA
HW4500A03	GREASE FITTING, .125 NPT 1610(ALEMITE) 8	1.000 EA
HW4500A20	1/8NPT SL PIPE PLUG	1.000 EA
HA4051A00	PLASTIC CAP FOR GREASE FITTING	1.000 EA

<b>Parts List (continued)</b>		
<b>Part Number</b>	<b>Description</b>	<b>Quantity</b>
MJ1000A02	GREASE, MOBIL POLYREX EM - 124047	0.050 LB
HW4500A03	GREASE FITTING, .125 NPT 1610(ALEMITE) 8	1.000 EA
HW4500A20	1/8NPT SL PIPE PLUG	1.000 EA
HA4051A00	PLASTIC CAP FOR GREASE FITTING	1.000 EA
HA3159A08	THRUBOLT- .38-16 X 20.00 LONG STUD	4.000 EA
MG1025R44	WILKOFAS, 784.109, CARMINE RED #3002	0.050 GA
85XU0407S04	4X1/4 U DRIVE PIN STAINLESS	2.000 EA
40AD2002A01	LEXAN BAFFLE 40 FR OPEN	1.000 EA
40AD2002A01	LEXAN BAFFLE 40 FR OPEN	1.000 EA
LB1119N	WARNING LABEL	1.000 EA
LC0104A01	CONNECTION DIAGRAM	1.000 EA
NP3454L	ALUM FIRE PUMP MOTOR(LEGACY/BALDOR ONLY)	1.000 EA
40PA1000	PACKAGING GROUP	1.000 EA

**AC Induction Motor Performance Data**

Record # 54840 - Typical performance - not guaranteed values

<b>Winding:</b> 40WGX329-R001	<b>Type:</b> 4064M	<b>Enclosure:</b> OPSB
-------------------------------	--------------------	------------------------

Nameplate Data				400 V, 60 Hz: High Voltage Connection	
Rated Output (HP)	50			Full Load Torque	149 LB-FT
Volts	200/400			Start Configuration	direct on line
Full Load Amps	140/70			Breakdown Torque	380 LB-FT
R.P.M.	1770			Pull-up Torque	194 LB-FT
Hz	60	Phase	3	Locked-rotor Torque	241 LB-FT
NEMA Design Code	B	KVA Code	F	Starting Current	401 A
Service Factor (S.F.)	1.15			No-load Current	27.3 A
NEMA Nom. Eff.	93	Power Factor	83	Line-line Res. @ 25°C	0.115 Ω
Rating - Duty	40C AMB-CONT			Temp. Rise @ Rated Load	55°C
S.F. Amps				Temp. Rise @ S.F. Load	68°C
				Locked-rotor Power Factor	31
				Rotor inertia	5.09 LB-FT <sup>2</sup>

Load Characteristics 400 V, 60 Hz, 50 HP

% of Rated Load	25	50	75	100	125	150	S.F.
Power Factor	46	69	78	83	84	85	84
Efficiency	90.3	93.6	94.1	93.8	92.9	91.9	93.3
Speed	1795	1787	1779	1771	1763	1752	1766
Line amperes	31.6	42.1	54.9	69.7	86.3	104	79.7

Performance Graph at 400V, 60Hz, 50.0HP Typical performance - Not guaranteed values

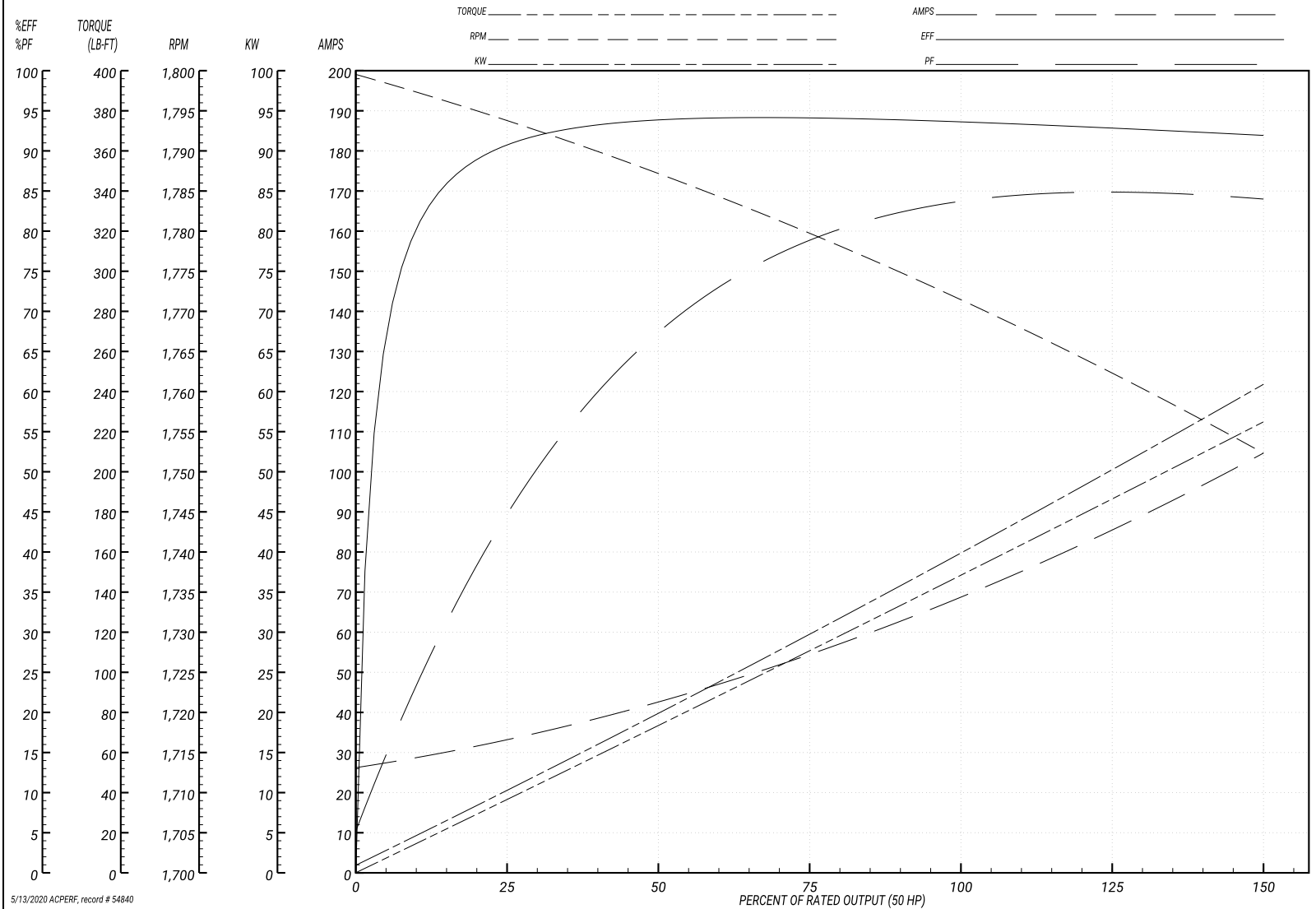
ABB Motors and Mechanical Inc.

WINDING # 40WGX329

Typical performance - not guaranteed values.

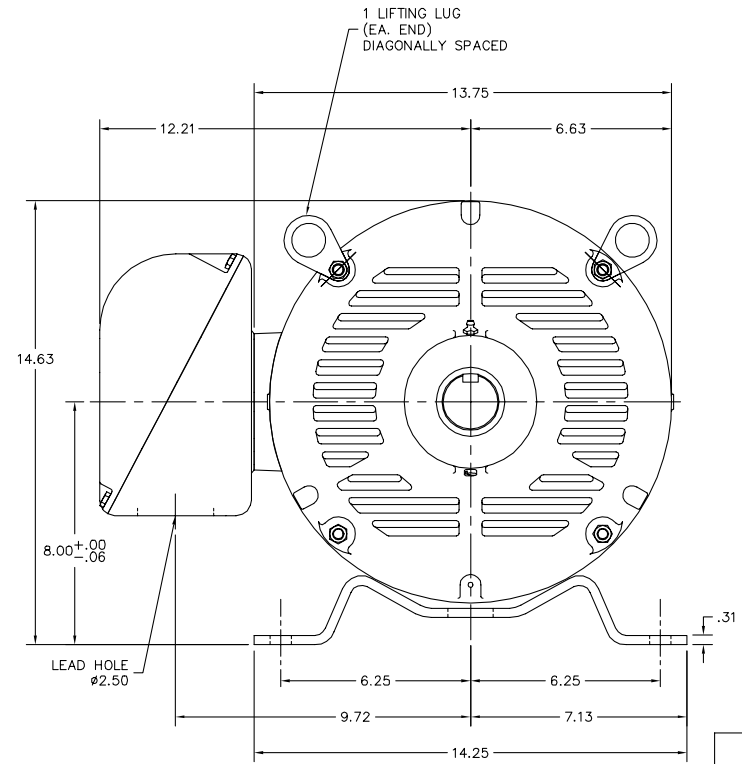
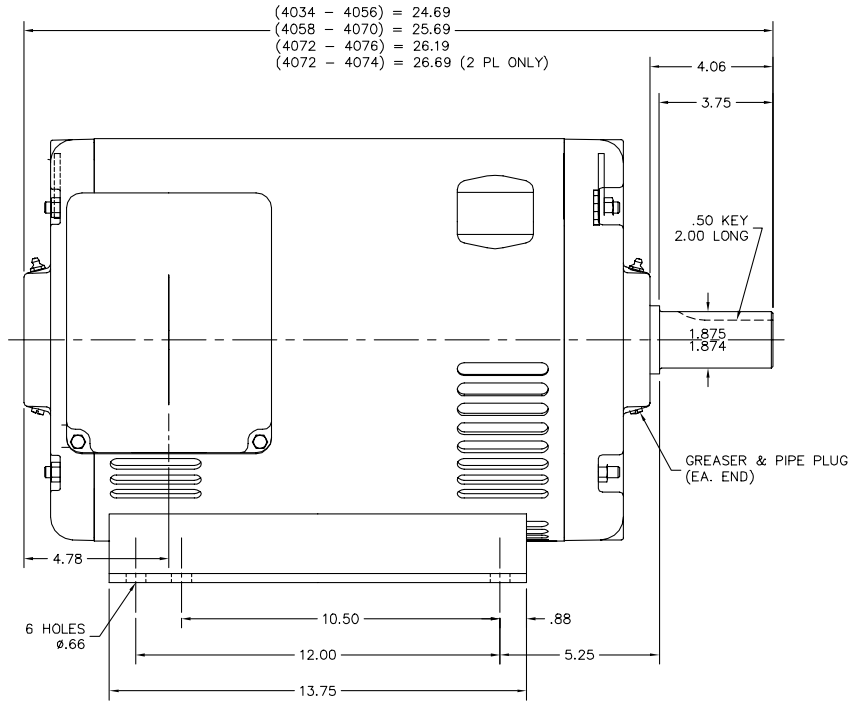
50 HP 3 PH 60 HZ 1770 RPM 400 V 4064M

TORQUES(LB-FT): PO=380 PU=194 LR=241 LRA=401



5/13/2020 ACPERF, record # 54840

40L.YH007



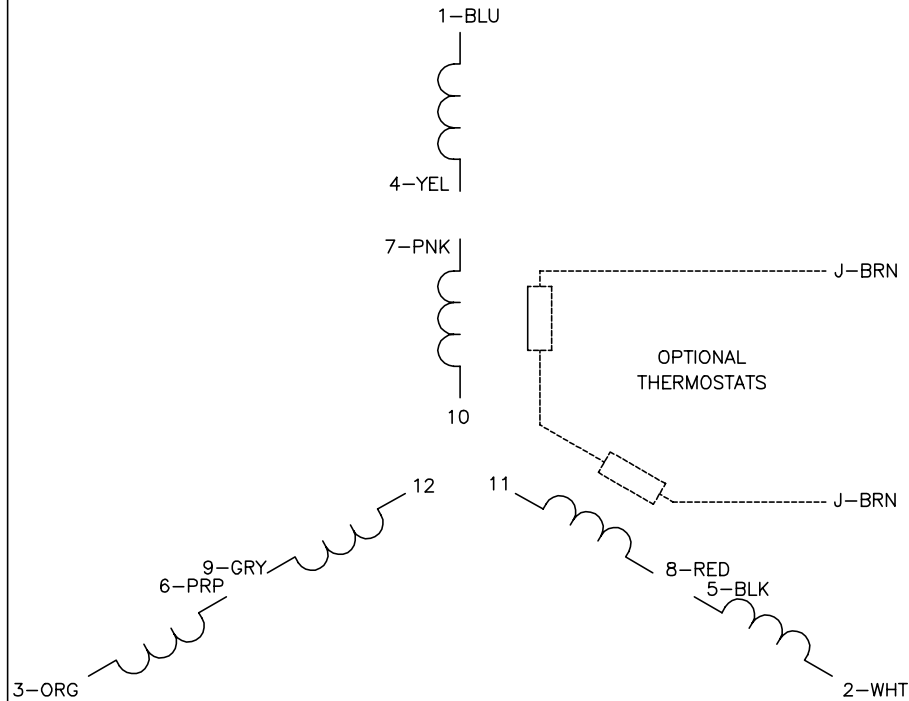
40L.YH007

CUSTOMER IS RESPONSIBLE FOR DETERMINING THAT BALDOR'S PRODUCT WILL PERFORM SUITABLY IN THE INTENDED APPLICATION.

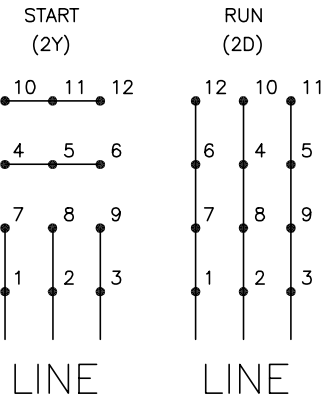
REV. DESC: UPDATED DESCRIPTION		
REV. LTR: M	VERSION: 06	TDR: 000000855149
FILE: \AAA\00008\628	REVISED: 11:27:19 05/23/2014	BY: ENNINDO
MTL: -		

**BALDOR**  
HORZ OPSB 324-6TS  
SH 1 of 1

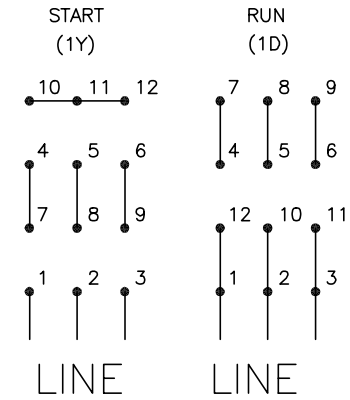
CD0104



**LOW VOLTAGE**



**HIGH VOLTAGE**



**NOTES:**

1. INTERCHANGE ANY TWO LINE LEADS TO REVERSE ROTATION.
2. OPTIONAL THERMOSTATS ARE PROVIDED WHEN SPECIFIED.
3. ACTUAL NUMBER OF INTERNAL PARALLEL CIRCUITS MAY BE A MULTIPLE OF THOSE SHOWN ABOVE.
4. LEAD COLORS ARE OPTIONAL. LEADS MUST ALWAYS BE NUMBERED AS SHOWN.

CD0104

REV. DESC: ADD CLASS CONN00000007		
REV. LTR: D	VERSION: 01	TDR: 000001099922
FILE: \AAA\00008\377	REVISED: 09:02:55 02/19/2019	BY: ENBRIRO
MTL: -	© □	

**BALDOR - RELIANCE®**

3PH, DV, 12 LEADS, Y START/D RUN

SH 1 of 1

Marketing maintained PDF of MN416:

[MN416?ManNumber=MN416](#)